



DRIVE SYSTEM

ODS - L10

Installation
INSTRUCTIONS



OZRoll Pty Ltd
174 Cavan Road
DRY CREEK SA 5094
AUSTRALIA.

E sales@ozroll.com.au
W www.ozroll.com.au

The OZRoll Logo is a registered trademark of OZRoll Pty Ltd.

Copyright © 2007 OZRoll Pty Ltd.
All Rights Reserved.

No part of this publication may be reproduced, stored in a retrieval system, or transmitted, in any form or by any means, electronic, mechanical, photocopy, recording, or otherwise, without the prior written permission of OZRoll Pty Ltd.

Due to continued research & development changes may be made to the information in this publication without obligation to notify any person of such revision or changes.

ODS - L10 INSTALLATION INSTRUCTIONS
Version 01 - NOVEMBER 2007.
PART NUMBER 15.300.012
PRINTED IN AUSTRALIA.

SPECIFICATIONS.

ODS Control 10

Output: 14.4 volts
1.5Ah NiMH

Size: H 186 mm
W 71 mm
D 30 mm

Weight: 450g

ODS - L10 Mechanism

Nominal Torque: 10Nm
No Load Speed: 16rpm
Max Operating Current: 3.6 Amps
Nominal Voltage: 12 volts
Internal End Stop Limits: 18 turns



Note: Ensure that the shutter is within the lifting zone of the ODS - L10. (Refer to the graph shown in Figure 6.1)

1. MOUNTING THE ODS - L10.

Internal or External fastening can be used to fix the L10 mechanism in position. The L10 mechanism **must** be supported by the stub axle, common to standard roller shutter fittings. Ensure that the installation protects the L10 mechanism from direct exposure to water. Specific attention needs to be given to the routing of the power cable to prevent water ingress. Water ingress may void the warranty. The L10 mechanism can be used as a drill jig when using a 3.2mm (1/8) drill bit.

Note. Routing of the power cable needs to comply with local wiring regulations.

External Fastening

When installing on the end plate you will need to check for any protrusions that may interfere with the casing of the mechanism.

Countersink the hole, from the outside, to suit the head of the fasteners (Refer to Figure 1.1). **Do not over tighten these screws.**

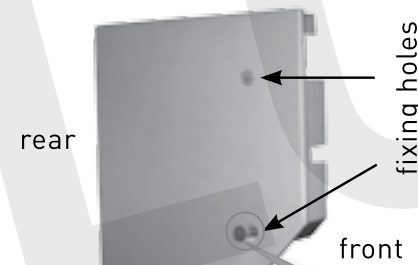


Figure 1.1

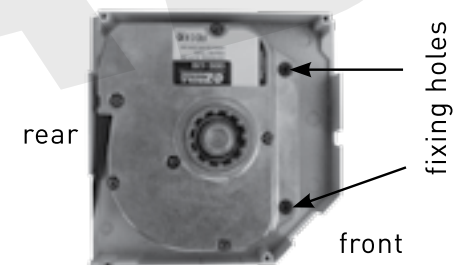


Figure 1.2

Internal Fastening

For installations that use a tunnel box, window box etc., the L10 mechanism can be attached by screwing as shown in figure 1.3. Use screws suitable for the circumstances of the installation.

Ensure that the head of the screw doesn't protrude beyond the lid of the L10 mechanism as it will interfere with the curtain during operation.



Figure 1.3

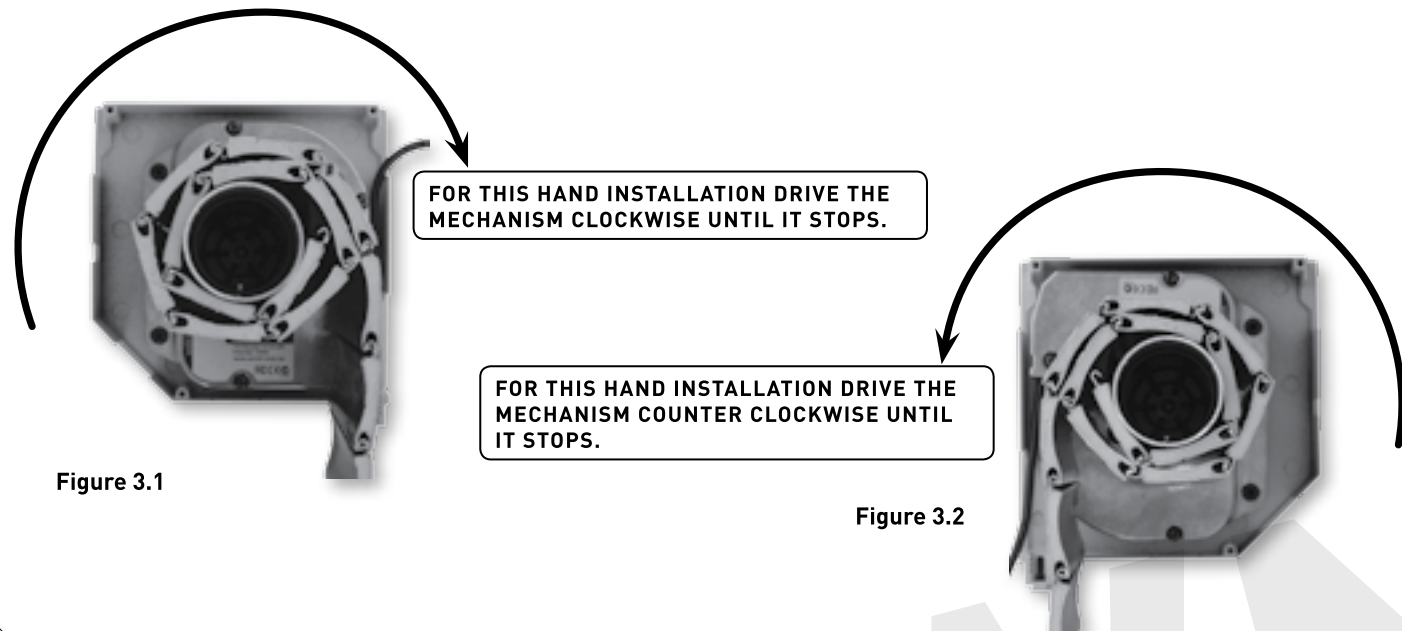
2. BOTTOM BAR STOPPER

The OZRoll Drive System utilises the Bottom Bar Stopper to stop the upward travel of the curtain. As this stopper needs to withstand some load, we strongly recommend that these components are closely inspected on Retro-Fit applications. If there is any doubt about the integrity of these existing components they should be replaced or substituted.

3. SETTING THE INTERNAL DOWN STOP.

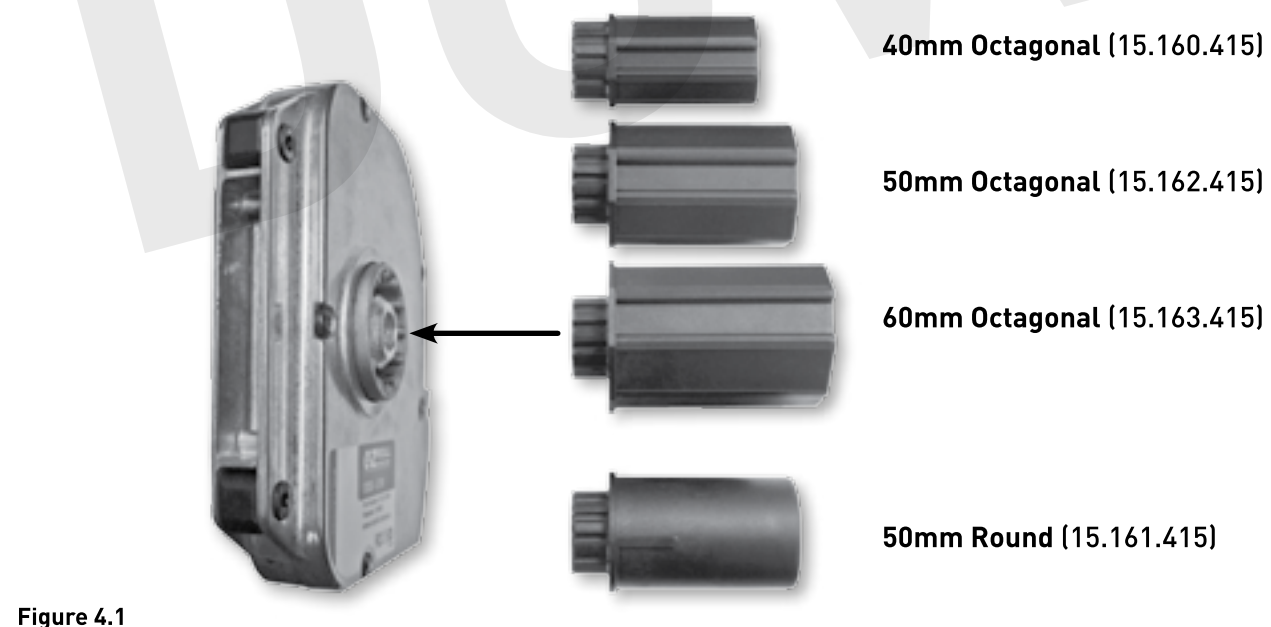
The L10 mechanism has an internal stop. This stop has to be set as the DOWN position stop. To do this, connect a controller to the mechanism and drive the mechanism in the DOWN direction.
Note. This direction will vary depending on whether the installation is left or right handed.

Refer to Figures 3.1 & 3.2. Drive the mechanism until the stop engages, ie until the mechanism stops moving. Once the mechanism has stopped press the down button once again to ensure that the stop has been fully engaged.



4. FITTING THE AXLE.

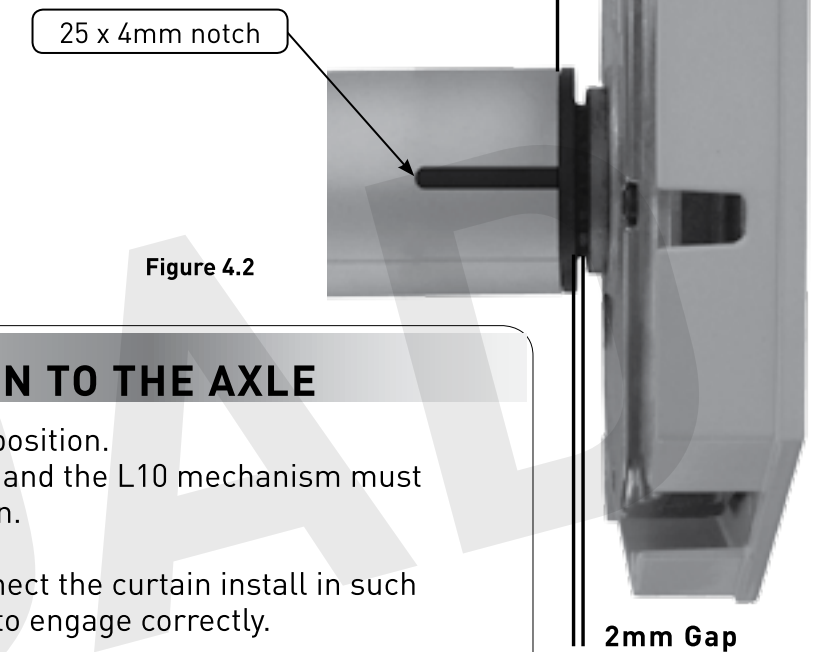
Various adaptors (sold seperately) are available to suit different axle types. Select the appropriate axle adaptor for your application.



Note. When using the 50mm round axle adaptor a 25x4mm notch will need to be cut into the axle. This is to accommodate the drive lug (Refer to Figure 4.2).

4. FITTING THE AXLE continued...

The axle must be cut to length so that there is a 36mm gap between the end of the axle and the surface the L10 mechanism will be mounted to. (Refer to Figure 4.2). This will leave a 2mm clearance gap between the axle adaptor and the output gear.



5. ATTACHING THE CURTAIN TO THE AXLE

Ensure the curtain is in the fully down position. At this stage the axle must be installed and the L10 mechanism must be set to the internal down stop position. Attach the curtain to the axle. If using security spring hangers to connect the curtain install in such a manner as to allow the security stop to engage correctly.

If the security stop is not engaging adjust the curtain position. Do this by disengaging the axle adaptor from the L10 mechanism and rotating the axle. The axle can be indexed in increments of 30 degrees. Re-engage the axle adaptor and the L10 mechanism and check the operation of the security stop.

6. THE OZROLL DRIVE SYSTEM - LIFTING CAPACITY

LIFTING CAPACITY - AR400 Slat Profile (4kg/m²) on a 50mm Round Axle.

- Minimum head box sizes are: 165 in the BC/SQ range or 160 in the RD range.
- Lifting capacity will be reduced for larger axle sizes.
- Larger shutters can be split utilising multiple OZRoll Drive motors.

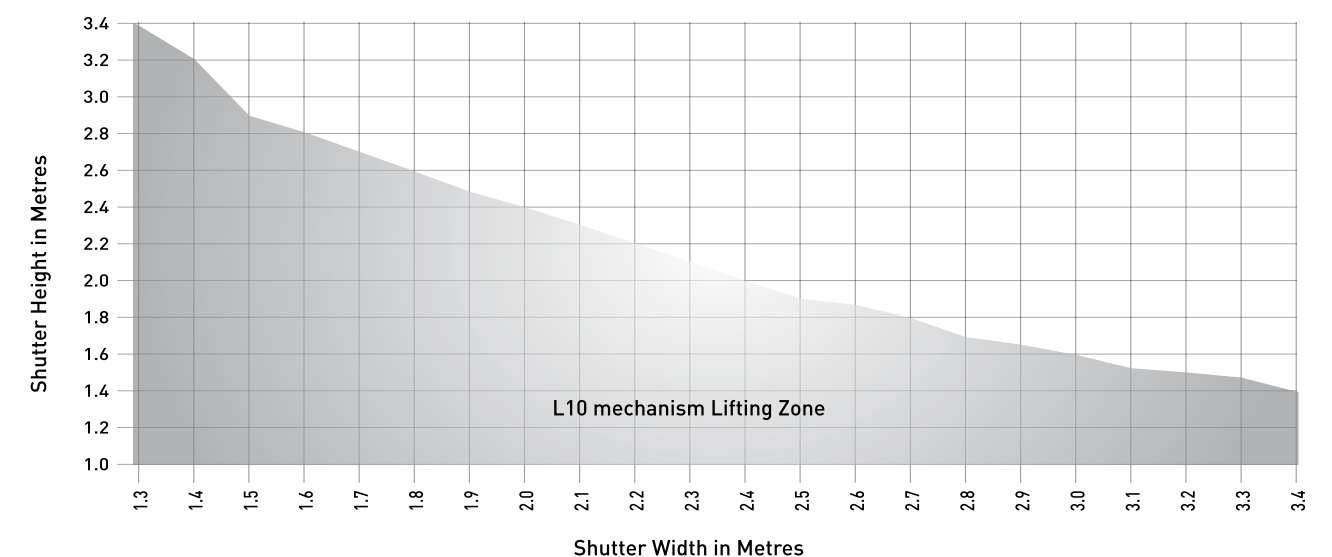


Figure 6.1